

CDM-N10D

Features

1. Dual, Vertical type.
2. Suitable for automotive antennas, cameras, and V2X data transmission.
3. USCAR49 standard.
4. Capable to load 9 GHz of data transmission.
5. With lock function and prevent wrong mating.
6. RoHS compliant.

CDM-N10D



Model Name	CDM-N10D
Part Number	R41-B994
Description	Dual Mini Coaxial Connector, Vertical
Coding Direction	Normal

Applicable Standards

USCAR-2
USCAR-49

Specifications

Electrical Characteristics

Impedance	50 Ω
Frequency range	DC to 9 GHz
Return loss	[0.01 < f \leq 1 GHz] : \leq -23 dB [1 < f \leq 9 GHz] : \leq 10logfGHzlog9-23dB
Insertion loss	\leq 0.1 dB 0 to 2 GHz
Near-end crosstalk	0.01 GHz < f \leq 4 GHz : -60dB 4 GHz < f \leq 9 GHz : -50dB
Test Voltage	\leq 500 V rms
Insulation resistance	100 M Ω MIN
Signal contact resistance	24m Ω MAX
Outer contact resistance	10m Ω MAX
Dielectric Withstand Voltage	800 V AC rms
Working voltage	\leq 60 V DC
Power current	\leq 1 A DC
Shielding Attenuation	0.1 GHz < f \leq 2 GHz : -62dB 2GHz < f \leq 5 GHz : -55dB 5GHz < f \leq 9 GHz : -50dB

CDM-N10D

Specifications

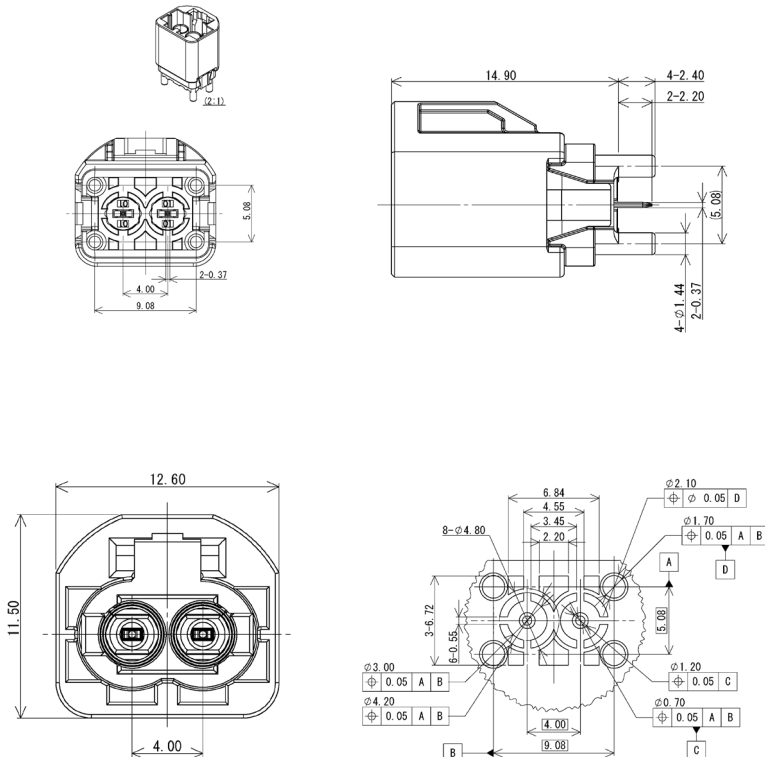
Mechanical Characteristics

Mating cycles	≥ 25
Engagement force	≤ 75 N
Disengagement force	30 - 60 N
Retention force latch	≥ 110 N

Environmental Conditions

Temperature range	-40 °C ~ 105 °C
Thermal shock	USCAR-2 / USCAR-49 Compliant
Temperature and humidity	USCAR-2 / USCAR-49 Compliant
Vibration	USCAR-2 / USCAR-49 Compliant
Mechanical shock	USCAR-2 / USCAR-49 Compliant
Maximum soldering temperature	255 °C
RoHS compliant/Lead free	Compliant

Dimensions



Materials

Signal pin	Copper alloy/Au plating
Outer contact	Copper alloy/Sn plating
Housing	Thermoplastic resin
Shell	Zinc alloy
Cover	PA resin

External Dimensions

Height	14.90 mm
Width	12.60 mm
Length	11.50 mm
Outer Contact Length	2.20 mm

Packing

Weight/Unit	2.98g/pcs
Reel	pcs/reel; pcs (reels)/Carton